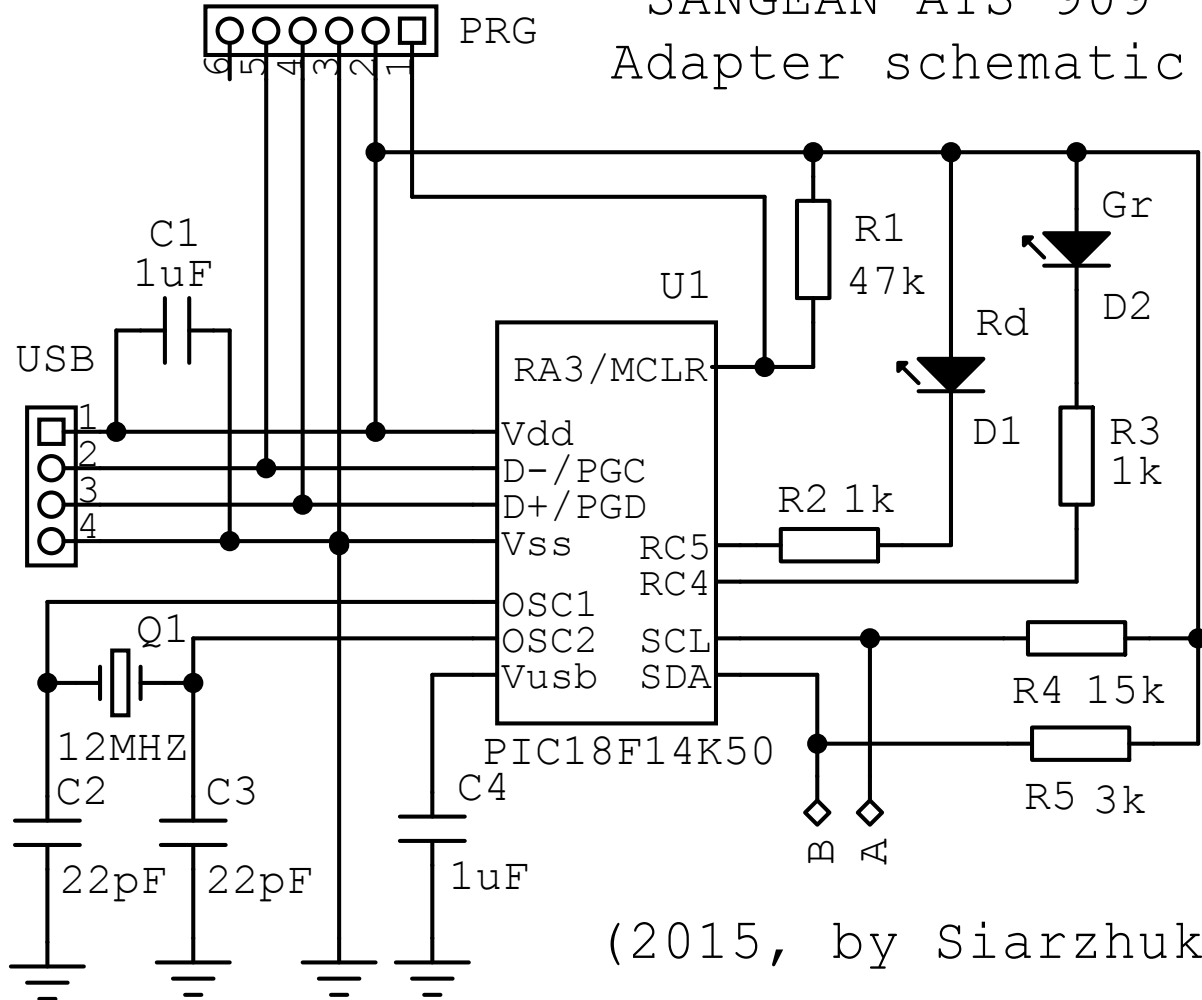


SANGEAN ATS-909 Adapter schematic



(2015, by Siarzhuk)